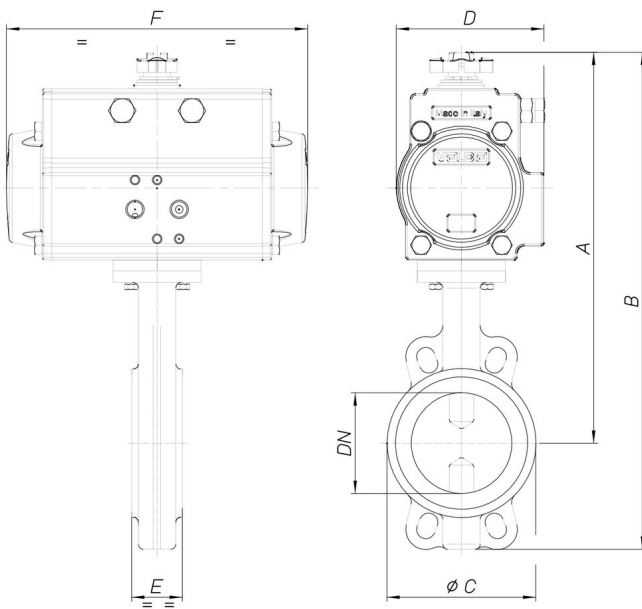


## 8P020600

Butterfly valve Wafer type PN16, G250 cast iron+epoxy painting, AISI 316 disc, VITON seat max operating temperature 150°C.



### Spécifications techniques



<b>MOD</b>	<b>PN</b>	<b>A</b>	<b>B</b>	<b>Ø C</b>	<b>D</b>	<b>E</b>	<b>F</b>	<b>ACT.</b>	<b>RI</b>
8P02060010	16	266	338	100	81	43	164	SR 63	3843
8P02060012	16	279	357	120	81	46	164	SR 63	3843
8P02060014	16	312	401	127	106	46	241	SR 85	3844
8P02060018	16	328	430	161	106	52	241	SR 85	3840
8P02060019	16	354	477	190	123	56	275	SR 100	3846
8P02060020	16	398	536	215	137	56	333	SR 115	4450
8P02060021	16	493	661	268	186	60	500	SR 160	3848
8P02060077	16	524	731	325	186	68	500	SR 160	3867
8P02060078	16	697	940	375	217	78	579	SR 200	3309