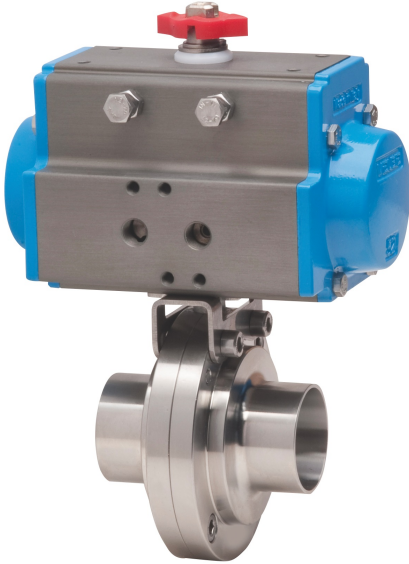
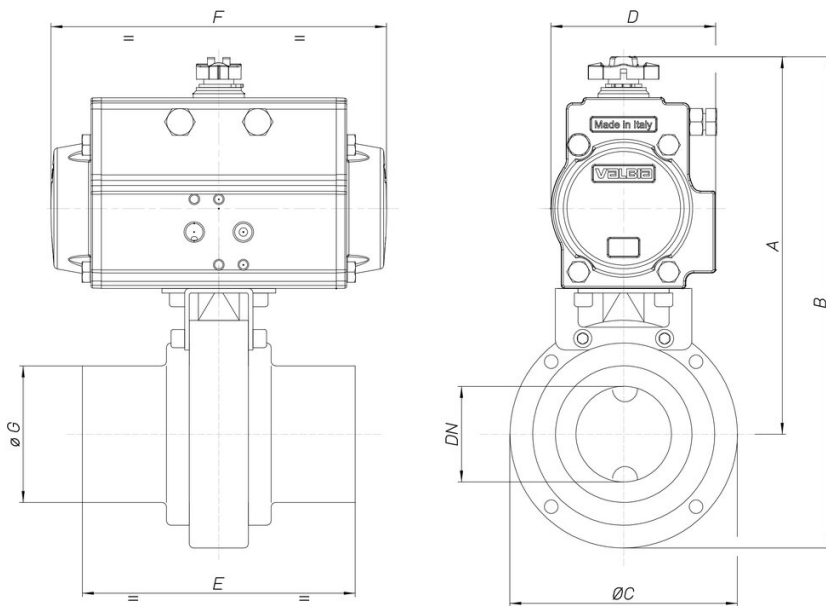


8P026100

Butterfly valve, din weld connections, for tube DIN 11850, stainless steel AISI 304.



Spécifications techniques



MOD	PN	A	B	ØC	D	E	F	ØG	ACT.
8P02610006	6	113	153	79	45	68	110	28	DA 32
8P02610007	6	155	197	85	71	76	141	34	DA 52
8P02610008	6	157	203	92	71	76	141	40	DA 52
8P02610010	6	175	227	105	81	80	164	52	DA 63
8P02610012	6	202	265	125	95	82	210	70	DA 75
8P02610014	6	224	292	137	106	84	241	85	DA 85
8P02610018	6	236	314	157	106	88	241	104	DA 85