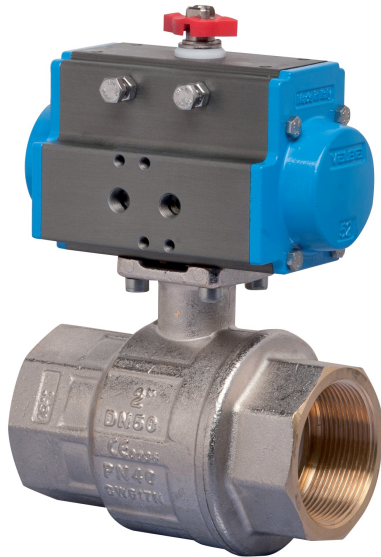
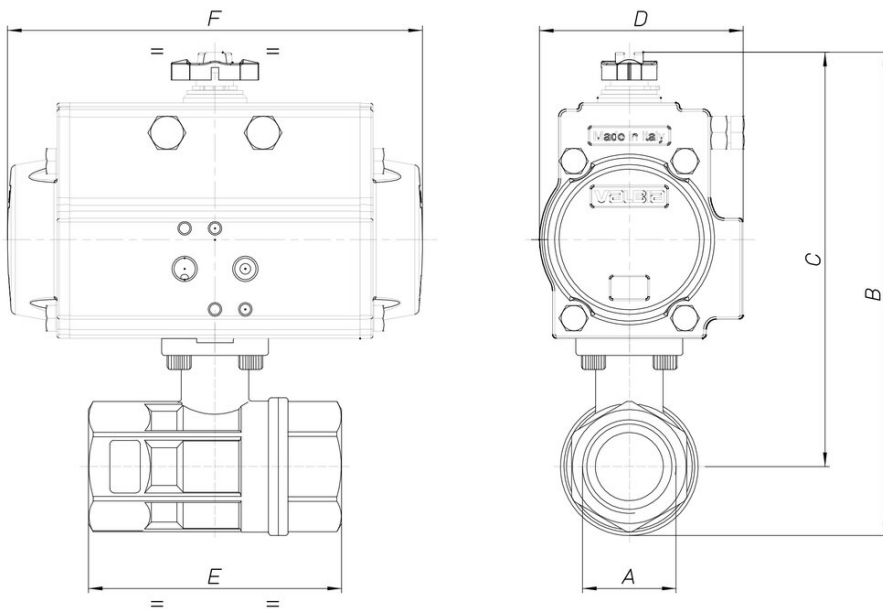


## 8P016000



2 way, brass ball valve [RB art. 2530] threaded F/F, stainless steel stem and ball, full bore, according to DIN 13547 certified ATEX Ex II 2 G/D c T4, suitable for use with solvents.

### Spécifications techniques



<b>MOD</b>	<b>PN</b>	<b>A</b>	<b>B</b>	<b>C</b>	<b>D</b>	<b>E</b>	<b>F</b>	<b>ACT.</b>	<b>RI</b>
8P01600002	40	1/4"	151	134	71	67	141	SR 52	4017
8P01600003	40	3/8"	151	134	71	67	141	SR 52	4017
8P01600004	40	1/2"	151	134	71	67	141	SR 52	4017
8P01600005	40	3/4"	156	136	71	76	141	SR 52	4017
8P01600006	40	1"	172	147	71	90	141	SR 52	4017
8P01600007	40	1" 1/4	180	151	71	102	141	SR 52	4017
8P01600008	40	1" 1/2	214	177	81	114	164	SR 63	4018
8P01600010	40	2"	232	186	81	138	164	SR 63	4018