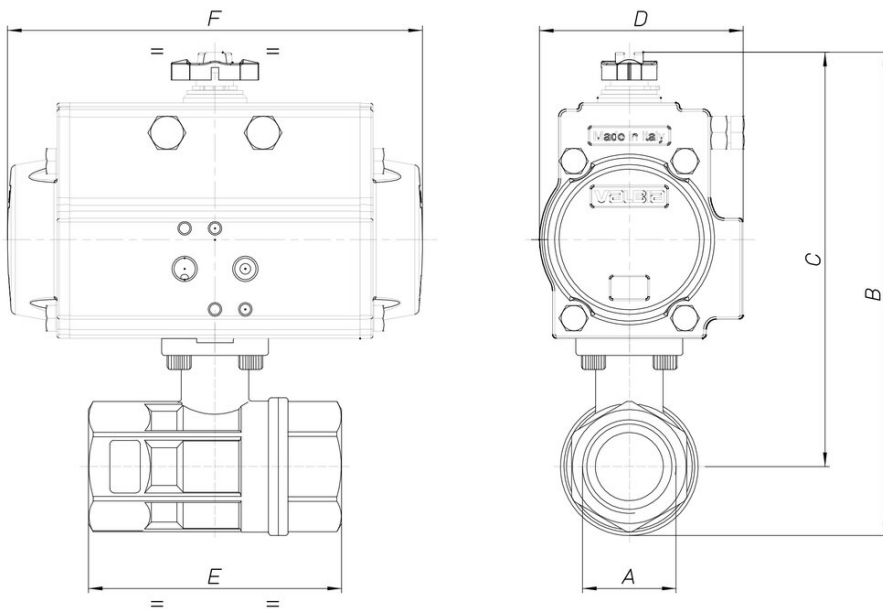


## 8P007900

2 way, brass ball valve, full bore according to DIN 13547 [RB art. 2500] threaded F/F, not suitable for use with solvents.



### Spécifications techniques



<b>MOD</b>	<b>PN</b>	<b>A</b>	<b>B</b>	<b>C</b>	<b>D</b>	<b>E</b>	<b>F</b>	<b>ACT.</b>	<b>RI</b>
8P00790002	40	1/4"	115	98	45	67	110	DA 32	4015
8P00790003	40	3/8"	115	98	45	67	110	DA 32	4015
8P00790004	40	1/2"	115	98	45	67	110	DA 32	4015
8P00790005	40	3/4"	120	100	45	76	110	DA 32	4015
8P00790006	40	1"	135	111	45	90	110	DA 32	4015
8P00790007	40	1" 1/4	144	114	45	102	110	DA 32	4015
8P00790008	40	1" 1/2	203	166	71	114	141	DA 52	4016
8P00790010	40	2"	221	175	71	138	141	DA 52	4016
8P00790012	25	2" 1/2	259	202	81	165	164	DA 63	4021
8P00790014	16	3"	279	211	81	188	164	DA 63	4021
8P00790018	16	4"	345	262	106	225	241	DA 85	4021