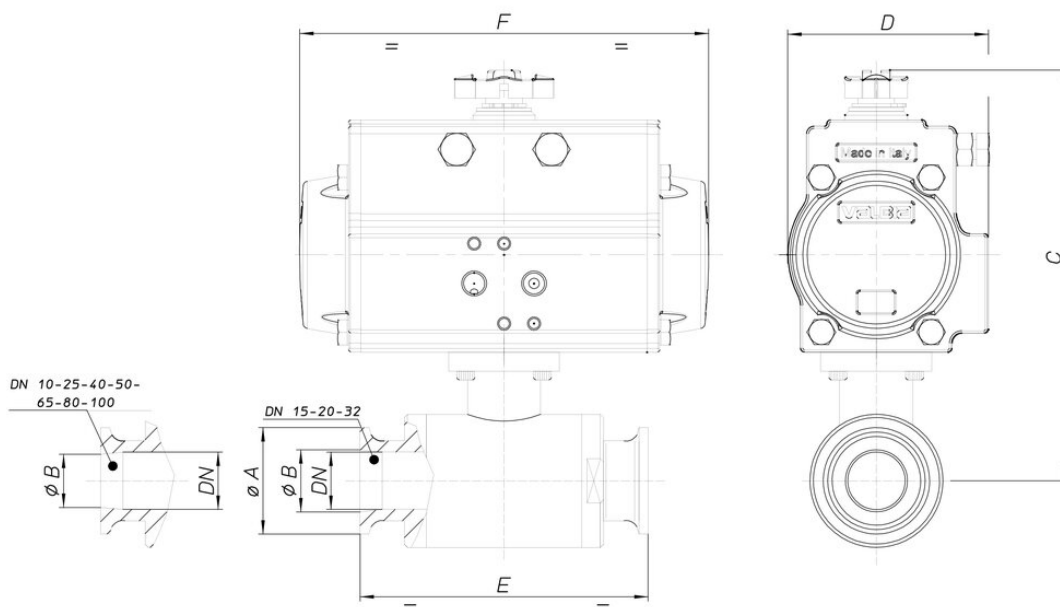


8P025300



2 way ball valve, from ingot, AISI 316 clamp connections ISO 2852, DIN TABLE 4 REIHE C for tube BS/OD (ASTM A270) P.T.F.E. seals, polished, full bore or reduced bore.

Spécifications techniques



MOD	PN	ØA	ØB	C	D	E	F	ACT.
8P02530003	64	25	9,7	141	71	88	141	DA 52
8P02530004	64	25	16	143	71	92	141	DA 52
8P02530005	64	51	22,2	147	71	102	141	DA 52
8P02530007	40	51	34,8	170	81	112	164	DA 63
8P02530010	25	64	47,5	197	81	136	164	DA 63
8P02530012	25	78	60,2	240	106	154	241	DA 85
8P02530014	25	91	72,6	251	106	184	241	DA 85
8P02530018	25	119	97,6	265	106	190	241	DA 85