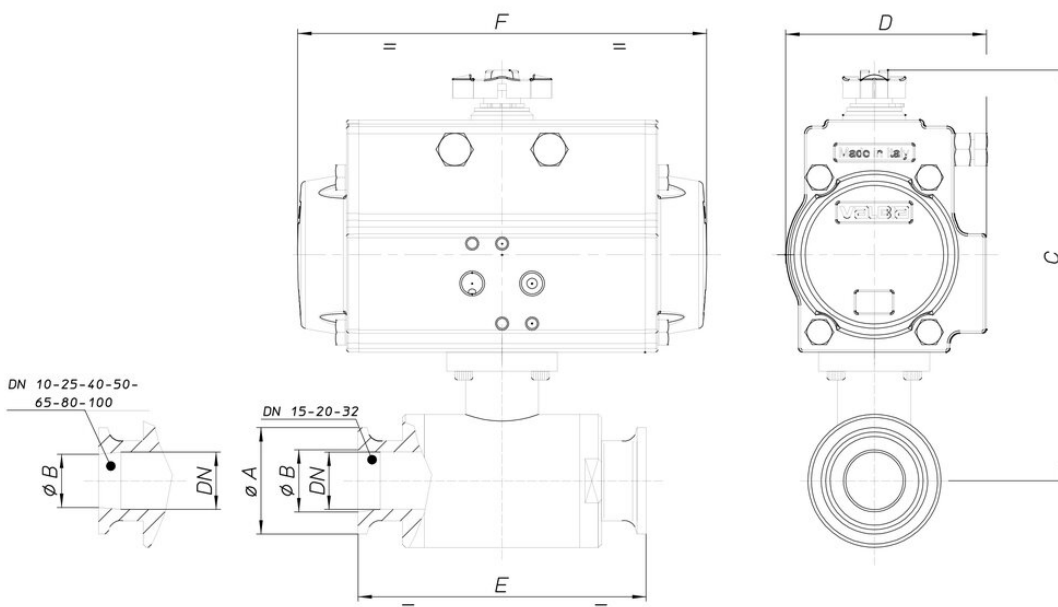


8P025400



2 way ball valve, from ingot, AISI 316 clamp connections ISO 2852, DIN TABLE 4 REIHE C for tube BS/OD (ASTM A270) P.T.F.E. seals, polished, full bore or reduced bore.

Spécifications techniques



MOD	PN	ØA	ØB	C	D	E	F	ACT.
8P02540003	64	25	9,7	141	71	88	141	SR 52
8P02540004	64	25	16	143	71	92	141	SR 52
8P02540005	64	51	22,2	147	71	102	141	SR 52
8P02540007	40	51	34,8	202	106	112	241	SR 85
8P02540010	25	64	47,5	229	106	136	241	SR 85
8P02540012	25	78	60,2	253	123	154	275	SR 100
8P02540014	25	91	72,6	311	148	184	372	SR 125
8P02540018	25	119	97,6	325	148	190	372	SR 125