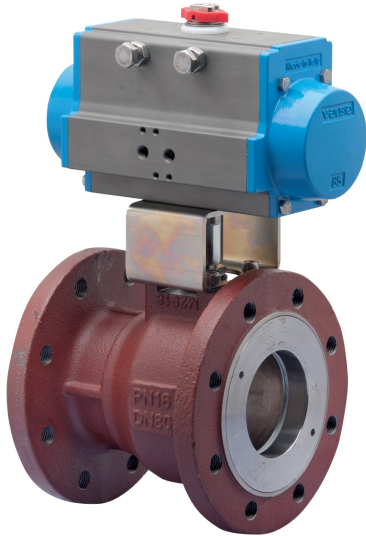
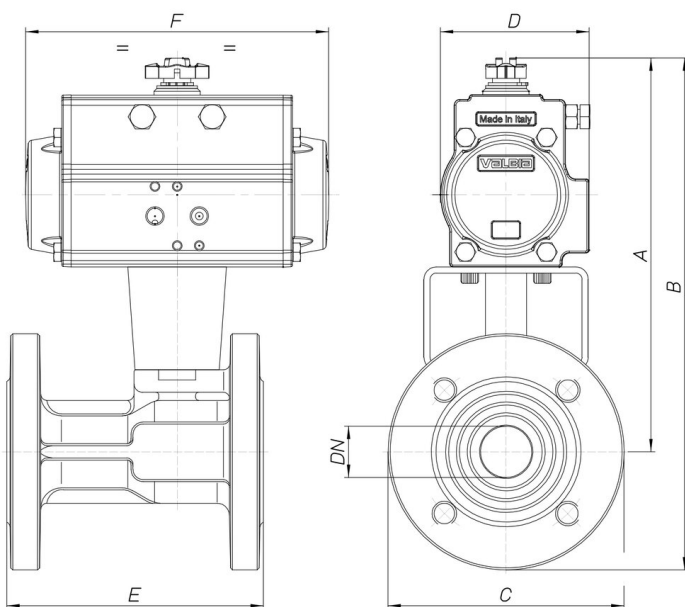


## 8P004600



2 way flanged PN16 ball valve [Valpres artt. 730008 from DN25 to DN65 - 730003 from DN80 to DN200] cast iron, with ball and stem in stainless steel AISI 304, full bore, face to face to EN558 basic series 14 (DN200 basic series 27).

### Spécifications techniques



<b>MOD</b>	<b>PN</b>	<b>A</b>	<b>B</b>	<b>C</b>	<b>D</b>	<b>E</b>	<b>F</b>	<b>ACT.</b>	<b>RI</b>
8P00460006	16	203	261	115	81	125	164	SR 63	3007
8P00460007	16	209	279	140	81	130	164	SR 63	3007
8P00460008	16	259	334	150	106	140	241	SR 85	3009
8P00460010	16	279	362	165	123	150	275	SR 100	3009
8P00460012	16	348	441	185	137	170	333	SR 115	3010
8P00460014	16	371	471	200	148	180	372	SR 125	3010
8P00460018	16	389	499	220	148	190	372	SR 125	3005
8P00460019	16	434	559	250	164	200	435	SR 140	3037
8P00460020	16	481	624	285	186	210	500	SR 160	3039
8P00460021	16	580	782	340	217	400	579	SR 200	3040