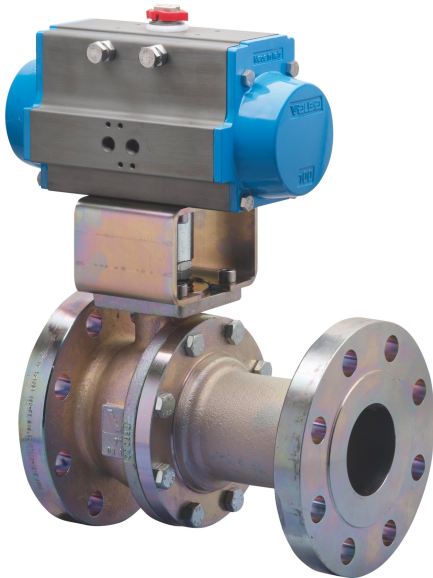
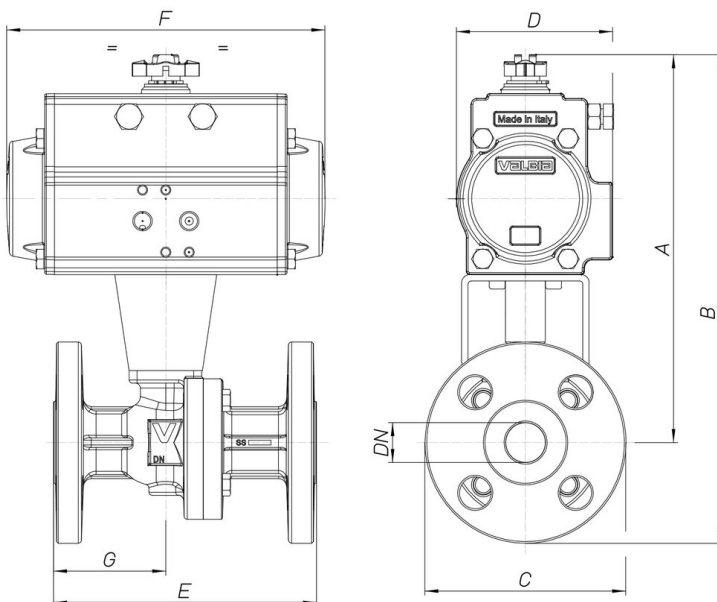


## 8P021500

Split Body type flanged ANSI 300 ball valve [Valpres art. 761031] carbon steel WCB, full bore, Fire Safe, Antistatic Device, face to face to ANSI B16.10, classified ATEX Ex II 2 G/D c T3.



### Spécifications techniques



<b>MOD</b>	<b>PN</b>	<b>A</b>	<b>B</b>	<b>C</b>	<b>D</b>	<b>E</b>	<b>F</b>	<b>G</b>	<b>ACT.</b>	<b>RI</b>
8P02150004	50	185	233	95	71	140	141	62	DA 52	3519
8P02150005	50	200	259	118	81	152	164	61	DA 63	3829
8P02150006	50	218	281	125	81	165	164	71	DA 63	3563
8P02150008	50	268	346	155	95	190	210	79	DA 75	3526
8P02150010	50	289	372	165	106	216	241	86	DA 85	3522
8P02150014	50	346	451	210	123	283	275	81	DA 100	3552
8P02150018	50	395	523	255	137	305	333	89	DA 115	3565
8P02150020	50	540	700	320	213	403	493	172	DA 180	3555
8P02150021	50	608	798	381	217	502	579	251	DA 200	3555