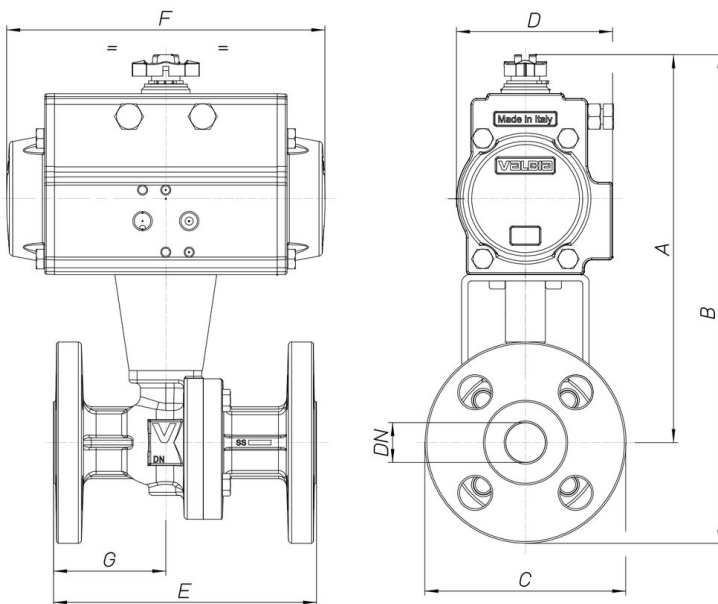


8P021400

Split Body type flanged ANSI 300 ball valve [Valpres art. 761030] stainless steel AISI 316 CF8M, full bore, Fire Safe, Antistatic Device, face to face to ANSI B16.10, classified ATEX Ex II 2 G/D c T3.

Spécifications techniques



| MOD | PN | A | B | C | D | E | F | G | ACT. | RI |
|------------|-----------|----------|----------|----------|----------|----------|----------|----------|-------------|-----------|
| 8P02140004 | 50 | 196 | 244 | 95 | 81 | 140 | 164 | 62 | SR 63 | 3829 |
| 8P02140005 | 50 | 232 | 291 | 118 | 106 | 152 | 241 | 61 | SR 85 | 3571 |
| 8P02140006 | 50 | 250 | 313 | 125 | 106 | 165 | 241 | 71 | SR 85 | 3573 |
| 8P02140008 | 50 | 295 | 373 | 155 | 123 | 190 | 275 | 79 | SR 100 | 4117 |
| 8P02140010 | 50 | 336 | 419 | 165 | 137 | 216 | 333 | 86 | SR 115 | 3527 |
| 8P02140014 | 50 | 393 | 498 | 210 | 148 | 283 | 372 | 81 | SR 125 | 3528 |
| 8P02140018 | 50 | 453 | 581 | 255 | 186 | 305 | 500 | 89 | SR 160 | 3997 |
| 8P02140020 | 50 | 726 | 886 | 320 | 290 | 403 | 672 | 172 | SR 270 | 3753 |
| 8P02140021 | 50 | 769 | 959 | 381 | 290 | 502 | 672 | 251 | SR 270 | 3753 |