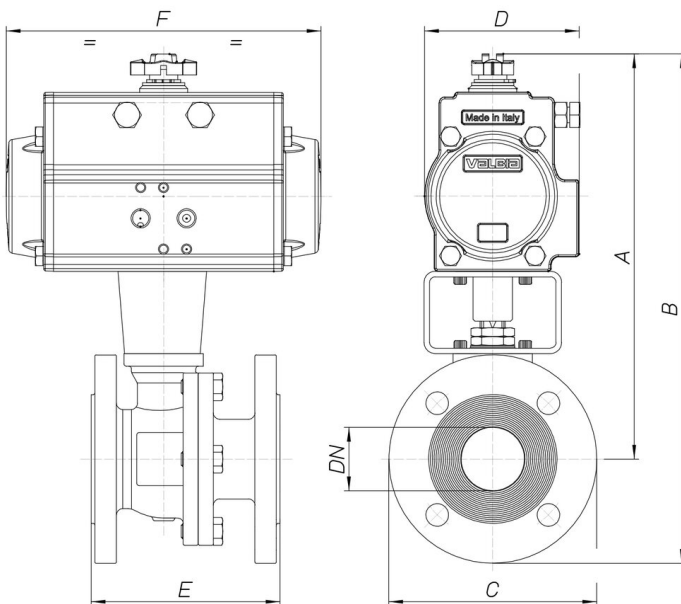


8P012100



Split Body type flanged ANSI 150 ball valve [Valpres art. 760005] stainless steel AISI 316 CF8M, full bore, Fire Safe, Antistatic Device, face to face ANSI B16.10, classified ATEX Ex II 2 G/D c T3.

Spécifications techniques



| MOD | PN | A | B | C | D | E | F | ACT. | RI |
|------------|-----------|----------|----------|----------|----------|----------|----------|-------------|-----------|
| 8P01210004 | 20 | 148 | 193 | 90 | 45 | 108 | 110 | DA32 | 3518 |
| 8P01210005 | 20 | 189 | 239 | 100 | 71 | 121 | 141 | DA52 | 3519 |
| 8P01210006 | 20 | 207 | 262 | 110 | 71 | 127 | 141 | DA52 | 3520 |
| 8P01210008 | 20 | 249 | 314 | 130 | 81 | 165 | 164 | DA63 | 3521 |
| 8P01210010 | 20 | 275 | 350 | 150 | 95 | 178 | 210 | DA75 | 3522 |
| 8P01210014 | 20 | 333 | 428 | 190 | 106 | 203 | 241 | DA85 | 3523 |
| 8P01210018 | 20 | 360 | 475 | 230 | 123 | 229 | 275 | DA100 | 3552 |
| 8P01210020 | 20 | 483 | 624 | 280 | 164 | 394 | 435 | DA140 | 3554 |
| 8P01210021 | 20 | 551 | 724 | 345 | 186 | 457 | 500 | DA160 | 3554 |
| 8P01210077 | 10 | 747 | 950 | 405 | 248 | 533 | 690 | DA230 | 4577 |
| 8P01210078 | 10 | 778 | 1021 | 485 | 248 | 610 | 690 | DA230 | 4577 |