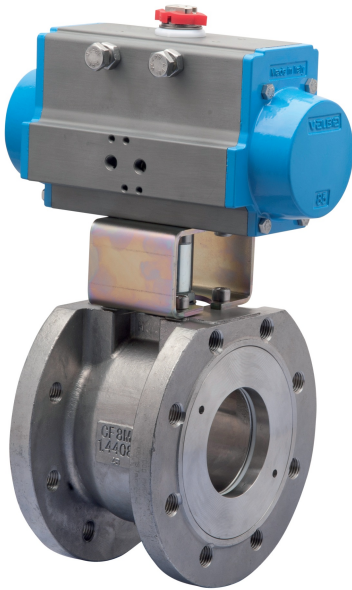
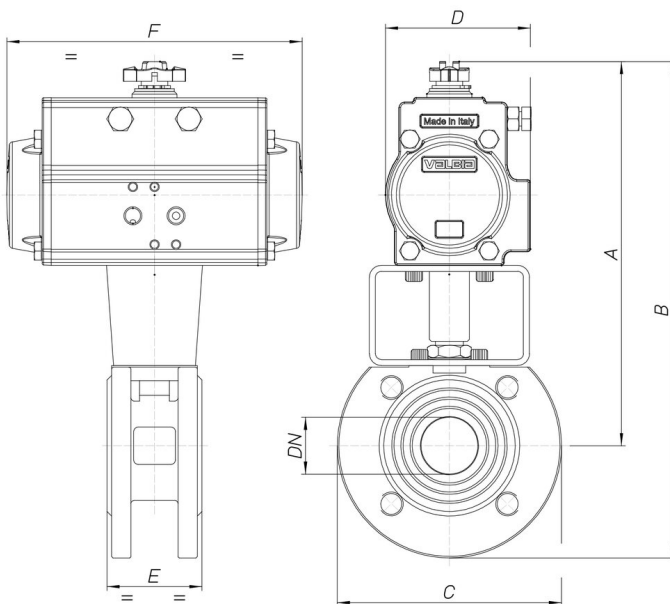


8P003300

2 way Wafer, ball valve [Valpres art. 720000] PN16
flanged, stainless steel AISI 304 CF8 full bore.



Spécifications techniques



MOD	PN	A	B	C	D	E	F	ACT.	RI
8P00330004	16	183	228	90	71	35	141	SR 52	3780
8P00330005	16	199	249	100	81	40	164	SR 63	3014
8P00330006	16	207	265	115	81	46	164	SR 63	3007
8P00330007	16	213	283	140	81	54	164	SR 63	3048
8P00330008	16	259	334	150	106	64	241	SR 85	3009
8P00330010	16	281	363	165	123	82	275	SR 100	3009
8P00330012	16	352	445	185	137	103	333	SR 115	3010
8P00330014	16	371	471	200	148	122	372	SR 125	3010
8P00330018	16	387	497	220	148	152	372	SR 125	3005
8P00330019	16	432	557	250	164	196	435	SR 140	3037
8P00330020	16	481	624	285	186	232	500	SR 160	3039