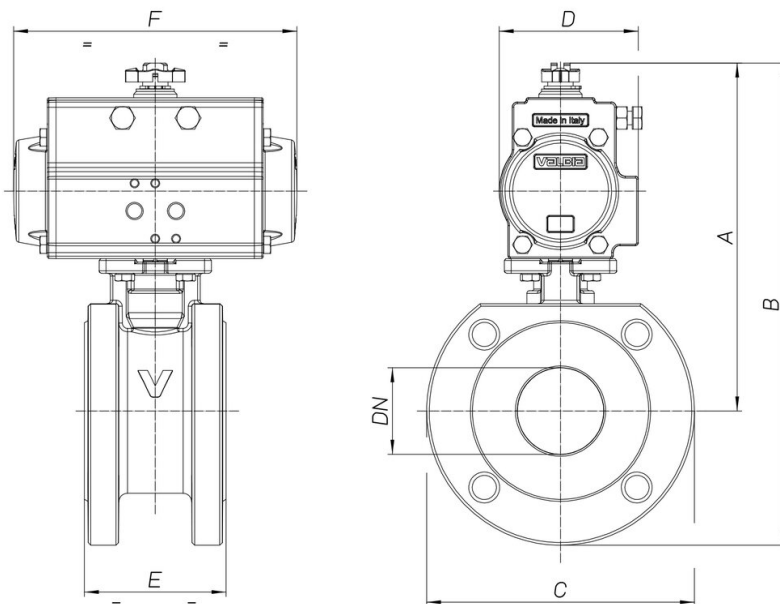


8P090700

2 way Wafer ball valve [Valpres art. 724100] flanged
ANSI 150, carbon steel LCB, full bore, antistatic device,
ISO 5211 pad direct.



Spécifications techniques



MOD	PN	A	B	C	D	E	F	ACT.	RI
8P09070006	20	161	216	110	71	48	141	DA 52	5161
8P09070007	20	174	239	130	71	54	141	DA 52	5161
8P09070008	20	182	252	140	71	64	141	DA 52	5163
8P09070010	20	201	279	155	81	82	164	DA 63	5165
8P09070012	20	226	316	180	81	103	164	DA 63	5259
8P09070014	20	251	346	190	95	122	210	DA 75	5166
8P09070018	20	280	390	220	106	152	241	DA 85	5166