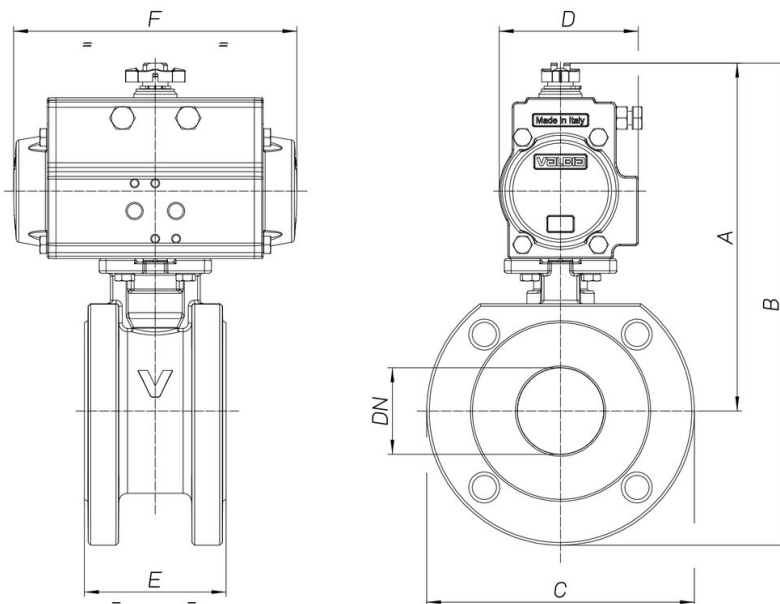


8P090100

2 way Wafer ball valve [Valpres art. 723000] PN16
flanged, stainless steel CF8M, full bore, antistatic
device, ISO5211 pad direct.



Spécifications techniques



MOD	PN	A	B	C	D	E	F	ACT.	RI
8P09010006	16	161	216	110	71	48	141	DA 52	5161
8P09010007	16	174	239	130	71	54	141	DA 52	5161
8P09010008	16	182	252	140	71	64	141	DA 52	5163
8P09010010	16	201	279	155	81	82	164	DA 63	5165
8P09010012	16	226	316	180	81	103	164	DA 63	5166
8P09010014	16	251	346	190	95	122	210	DA 75	5259
8P09010018	16	280	390	220	106	152	241	DA 85	5166