

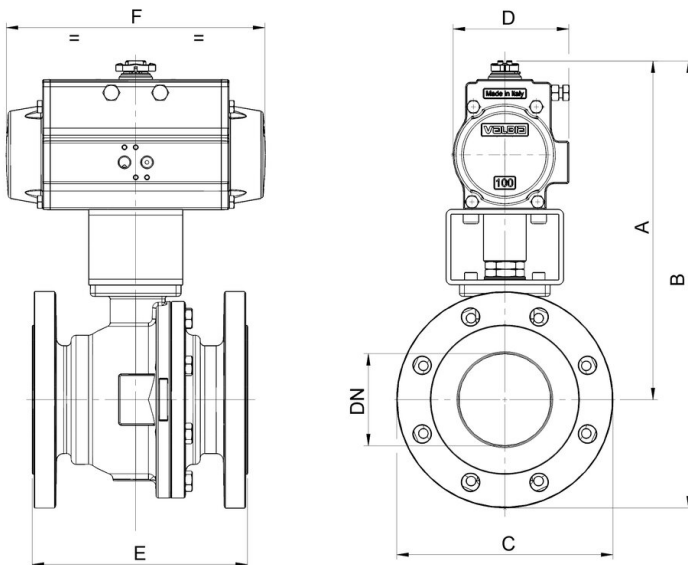


8P111600

Split Body [Valpres art. 760V00] full bore flanged PN16 ball valve, stainless steel AISI A351-CF8M, V-Pack stem seal, EN 558 basic series 27 face to face to dimension, Fire Safe, Antistatic Device.

NEW

Spécifications techniques



MOD	PN	A	B	ØC	D	E	F	ACT.	RI
8P11160004	40	185	232	95	71	115	141	SR52	3519
8P11160005	40	200	253	105	81	120	164	SR63	3829
8P11160006	40	236	294	115	81	125	164	SR63	3525
8P11160007	40	254	324	140	81	130	164	SR63	3525
8P11160008	40	295	370	150	106	140	241	SR85	3526
8P11160010	40	336	370	165	123	150	275	SR100	3522
8P11160012	16	358	451	185	137	170	333	SR115	3527
8P11160014	16	415	515	200	148	180	372	SR125	3528
8P11160018	16	453	563	220	148	190	372	SR125	3528
8P11160019	16	407	632	250	164	325	435	SR140	3997
8P11160020	16	565	655	285	186	350	500	SR160	3554
8P11160021	16	708	825	340	217	400	579	SR200	3555