

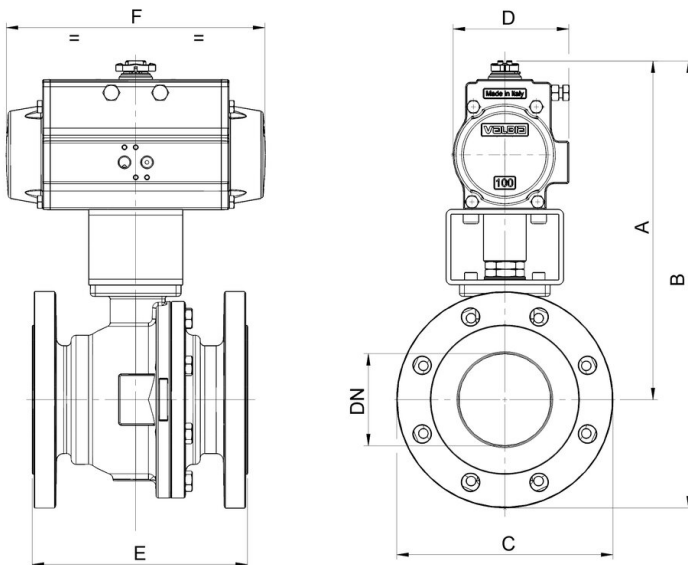


## 8P110200

Split Body [Valpres art.760V40] full bore flanged PN40 ball valve, stainless steel AISI A351-CF8M, V-Pack stem seal, EN 558 basic series 27 face to face to dimension, Fire Safe, Antistatic Device.

**NEW**

### Spécifications techniques



<b>MOD</b>	<b>PN</b>	<b>A</b>	<b>B</b>	<b>ØC</b>	<b>D</b>	<b>E</b>	<b>F</b>	<b>ACT.</b>	<b>RI</b>
8P11020012	40	311	404	185	123	170	275	DA 100	3522
8P11020014	40	346	446	200	123	180	275	DA 100	3553
8P11020018	40	395	512	235	137	190	333	DA 115	3528
8P11020020	40	508	658	300	186	350	500	DA 160	3554
8P11020021	40	585	773	375	213	400	493	DA 180	3555