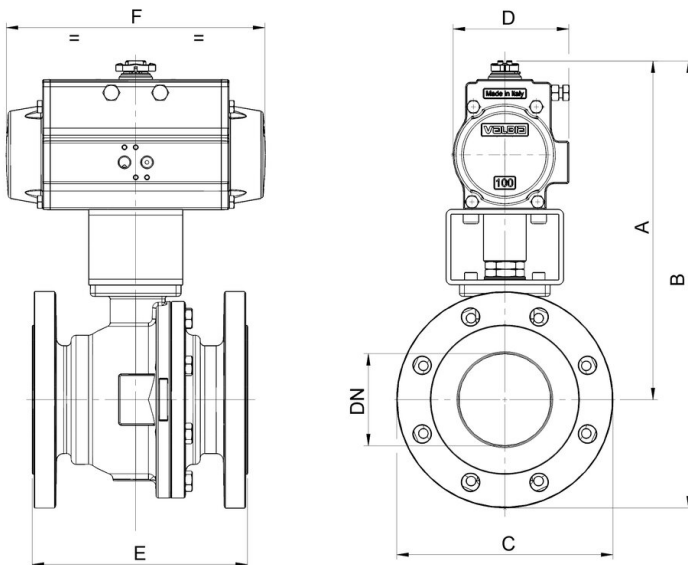


8P111700

Split Body [Valpres art.760V01] full bore flanged PN16 ball valve, zinc-plated painted (DN>100) carbon steel A216-LCB, V-Pack stem seal, EN 558 basic series 27 face to face to dimension, Fire Safe, Antistatic Device.

NEW

Spécifications techniques



MOD	PN	A	B	ØC	D	E	F	ACT.	RI
8P11170004	40	185	232	95	71	115	141	SR52	3519
8P11170005	40	200	253	105	81	120	164	SR63	3829
8P11170006	40	236	294	115	81	125	164	SR63	3525
8P11170007	40	254	324	140	81	130	164	SR63	3525
8P11170008	40	295	370	150	106	140	241	SR85	3526
8P11170010	40	336	419	165	123	150	275	SR100	3522
8P11170012	16	358	451	185	137	170	333	SR115	3527
8P11170014	16	415	515	200	148	180	372	SR125	3528
8P11170018	16	453	563	220	148	190	372	SR125	3528
8P11170019	16	407	632	250	164	325	435	SR140	3997
8P11170020	16	565	655	285	186	350	500	SR160	3554
8P11170021	16	708	825	340	217	400	579	SR200	3555