

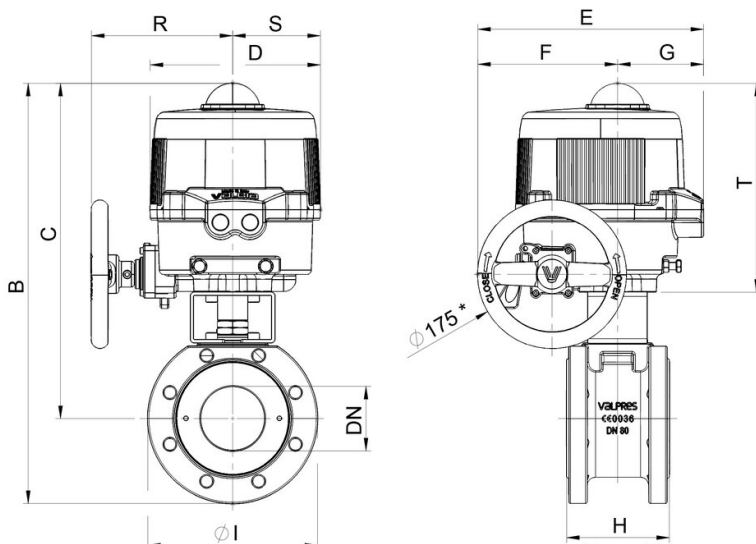
8M259



2 way Wafer ball valve [Valpres art. 721V00 DN15 to DN100 (DN65 and DN100 only PN16) art.721V78 DN65 and DN100 only PN40] flanged PN16/40, stainless steel A351-CF8M, full bore, EN 558 basic series 100, metric thread, V-Pack stem seal, Fire Safe, Antistatic Device. With electric actuator series 85.

NEW

Spécifications techniques



* mod.VB030M-VB060M Q10mm SENZA VOLANTINO - without handwheel

| MOD | PN | B | C | D | E | F | G | H | I | R | S | T | ACT. | KIT |
|------------|-------|-----|-----|-----|-----|-----|-----|-----|-----|-----|-----|-----|---------|--------|
| 8M25900106 | 16-40 | 351 | 293 | 161 | 187 | 63 | 124 | 46 | 115 | - | - | - | VB 030M | RI3542 |
| 8M25900206 | 16-40 | 351 | 293 | 161 | 187 | 63 | 124 | 46 | 115 | - | - | - | VB 030M | RI3542 |
| 8M25900406 | 16-40 | 351 | 293 | 161 | 187 | 63 | 124 | 46 | 115 | - | - | - | VB 030M | RI3542 |
| 8M25900107 | 16-40 | 369 | 299 | 161 | 187 | 63 | 124 | 54 | 140 | - | - | - | VB 060M | RI3542 |
| 8M25900207 | 16-40 | 369 | 299 | 161 | 187 | 63 | 124 | 54 | 140 | - | - | - | VB 060M | RI3542 |
| 8M25900407 | 16-40 | 369 | 299 | 161 | 187 | 63 | 124 | 54 | 140 | - | - | - | VB 060M | RI3542 |
| 8M25900108 | 16-40 | 409 | 334 | 176 | 197 | 63 | 134 | 64 | 150 | - | - | - | VB 060M | RI3521 |
| 8M25900208 | 16-40 | 409 | 334 | 176 | 197 | 63 | 134 | 64 | 150 | - | - | - | VB 060M | RI3521 |
| 8M25900408 | 16-40 | 409 | 334 | 176 | 197 | 63 | 134 | 64 | 150 | - | - | - | VB 060M | RI3521 |
| 8M25900110 | 16-40 | 425 | 342 | 176 | 197 | 63 | 134 | 82 | 165 | - | - | - | VB 060M | RI3521 |
| 8M25900210 | 16-40 | 425 | 342 | 176 | 197 | 63 | 134 | 82 | 165 | - | - | - | VB 060M | RI3521 |
| 8M25900410 | 16-40 | 425 | 342 | 176 | 197 | 63 | 134 | 82 | 165 | - | - | - | VB 060M | RI3521 |
| 8M25900112 | 16 | 478 | 386 | 200 | 266 | 165 | 101 | 103 | 185 | 167 | 103 | 225 | VB 110M | RI3522 |
| 8M25900212 | 16 | 478 | 386 | 200 | 266 | 165 | 101 | 103 | 185 | 167 | 103 | 225 | VB 110M | RI3522 |
| 8M25900412 | 16 | 478 | 386 | 200 | 266 | 165 | 101 | 103 | 185 | 167 | 103 | 225 | VB 110M | RI3522 |
| 8M25900114 | 40 | 478 | 386 | 200 | 266 | 165 | 101 | 103 | 185 | 167 | 103 | 225 | VB 110M | RI5345 |
| 8M25900214 | 40 | 478 | 386 | 200 | 266 | 165 | 101 | 103 | 185 | 167 | 103 | 225 | VB 110M | RI5345 |
| 8M25900414 | 40 | 478 | 386 | 200 | 266 | 165 | 101 | 103 | 185 | 167 | 103 | 225 | VB 110M | RI5345 |
| 8M25900118 | 16-40 | 493 | 393 | 200 | 266 | 165 | 101 | 122 | 200 | 167 | 103 | 225 | VB 190M | RI3552 |
| 8M25900218 | 16-40 | 493 | 393 | 200 | 266 | 165 | 101 | 122 | 200 | 167 | 103 | 225 | VB 190M | RI3552 |
| 8M25900418 | 16-40 | 493 | 393 | 200 | 266 | 165 | 101 | 122 | 200 | 167 | 103 | 225 | VB 190M | RI3552 |