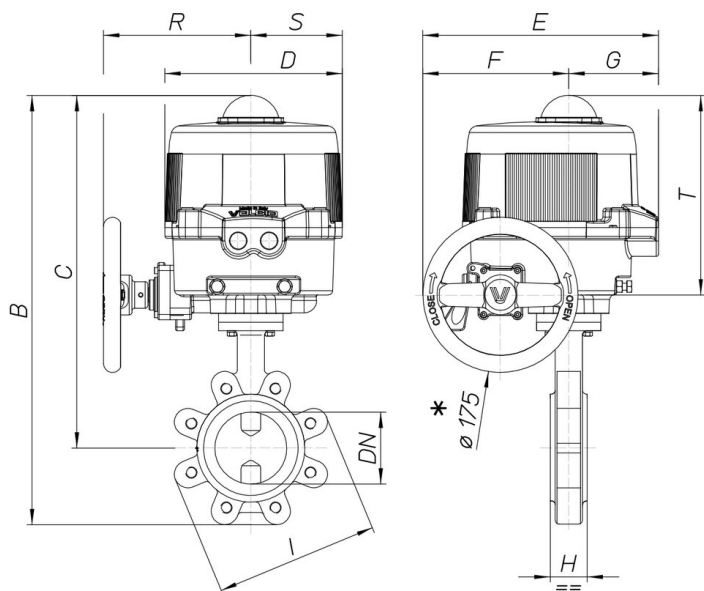




## 8M038

Butterfly valve Lug type PN16 (from DN50 to DN300), PN10 (from DN350 to DN600), body in cast iron GGG40 +epoxy painting, disc GGG40 nickeled, EPDM [Valpres art. 600204] or NBR [Valpres art. 600231] from DN50 to DN300 EPDM seat art. 905277 from DN350 to DN600.

### Spécifications techniques



MOD	PN	B	C	D	E	F	G	H	I	R	S	T	ACT.	KIT
8M03800110	16	424	352	161	187	63	124	43	165	-	-	-	VB030M	RI3836
8M03800210	16	424	352	161	187	63	124	43	165	-	-	-	VB030M	RI3836
8M03800410	16	424	352	161	187	63	124	43	165	-	-	-	VB030M	RI3836
8M03800112	16	443	365	161	187	63	124	46	185	-	-	-	VB030M	RI3836
8M03800212	16	443	365	161	187	63	124	46	185	-	-	-	VB030M	RI3836
8M03800412	16	443	365	161	187	63	124	46	185	-	-	-	VB030M	RI3836
8M03800114	16	477	387	176	197	63	134	46	200	-	-	-	VB060M	RI3883
8M03800214	16	477	387	176	197	63	134	46	200	-	-	-	VB060M	RI3883
8M03800414	16	477	387	176	197	63	134	46	200	-	-	-	VB060M	RI3883
8M03800118	16	505	403	176	197	63	134	52	220	-	-	-	VB060M	RI3884
8M03800218	16	505	403	176	197	63	134	52	220	-	-	-	VB060M	RI3884
8M03800418	16	505	403	176	197	63	134	52	220	-	-	-	VB060M	RI3884
8M03800119	16	565	442	200	266	165	101	56	250	167	103	225	VB110M	RI3840
8M03800219	16	565	442	200	266	165	101	56	250	167	103	225	VB110M	RI3840
8M03800419	16	565	442	200	266	165	101	56	250	167	103	225	VB110M	RI3840
8M03800120	16	593	455	200	266	165	101	56	285	167	103	225	VB190M	RI3847
8M03800220	16	593	455	200	266	165	101	56	285	167	103	225	VB190M	RI3847
8M03800420	16	593	455	200	266	165	101	56	285	167	103	225	VB190M	RI3847
8M03800121	16	658	490	212	279	184	95	60	340	166	109	226	VB270M	RI3965
8M03800221	16	658	490	212	279	184	95	60	340	166	109	226	VB270M	RI3965
8M03800421	16	658	490	212	279	184	95	60	340	166	109	226	VB270M	RI3965
8M03800177	16	733	526	212	279	184	95	68	405	166	109	226	VB350M	RI3865
8M03800277	16	733	526	212	279	184	95	68	405	166	109	226	VB350M	RI3865
8M03800477	16	733	526	212	279	184	95	68	405	166	109	226	VB350M	RI3865