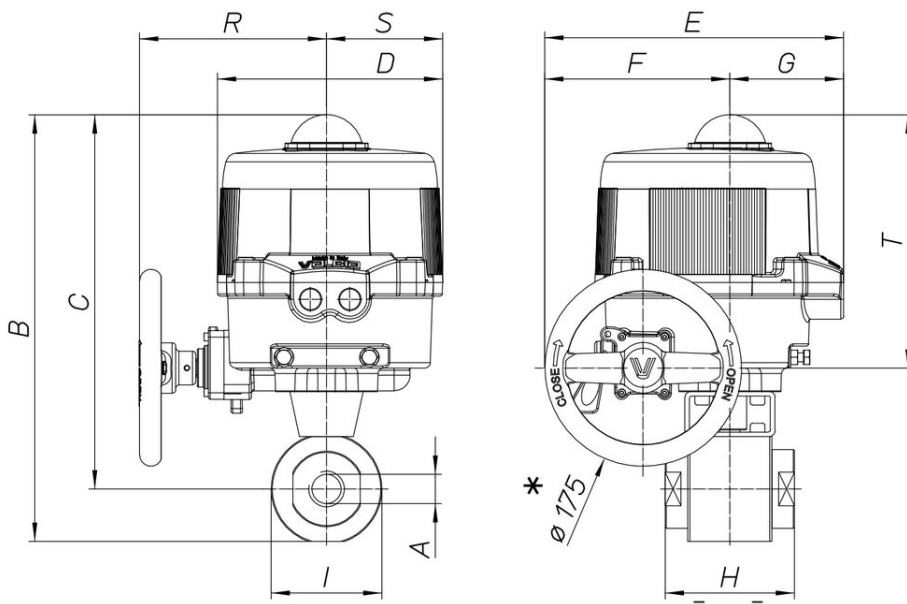


8M126



2 way ball valve, AISI 316L, F/F threaded, Fire Safe BS6755, Antistatic Device, high pressure, for hydraulic oil, emulsion, gas. For particular applications refer to sales department.

Spécifications techniques



MOD	PN	A	B	C	D	E	F	G	H	I	R	S	T	ACT.	RI
8M12600103	500	3/8"	292	265	161	187	63	124	72	54	-	-	-	VB 030M	4220
8M12600203	500	3/8"	292	265	161	187	63	124	72	54	-	-	-	VB 030M	4220
8M12600403	500	3/8"	292	265	161	187	63	124	72	54	-	-	-	VB 030M	4220
8M12600104	500	1/2"	297	268	161	187	63	124	98	74	-	-	-	VB 030M	4220
8M12600204	500	1/2"	297	268	161	187	63	124	98	74	-	-	-	VB 030M	4220
8M12600404	500	1/2"	297	268	161	187	63	124	98	74	-	-	-	VB 030M	4220
8M12600105	400	3/4"	332	295	161	187	63	124	98	74	-	-	-	VB 030M*	4229
8M12600205	400	3/4"	332	295	161	187	63	124	98	74	-	-	-	VB 030M*	4229
8M12600405	400	3/4"	332	295	161	187	63	124	98	74	-	-	-	VB 030M*	4229
8M12600106	350	1"	361	320	176	197	63	134	106	83	-	-	-	VB 060M	4229
8M12600206	350	1"	361	320	176	197	63	134	106	83	-	-	-	VB 060M	4229
8M12600406	350	1"	361	320	176	197	63	134	106	83	-	-	-	VB 060M	4229
8M12600107	350	1"1/4	403	353	200	266	165	101	127	99	167	103	225	VB 110M	4482
8M12600207	350	1"1/4	403	353	200	266	165	101	127	99	167	103	225	VB 110M	4482
8M12600407	350	1"1/4	403	353	200	266	165	101	127	99	167	103	225	VB 110M	4482
8M12600108	350	1"1/2	416	359	200	266	165	101	135	114	167	103	225	VB 110M	4223
8M12600208	350	1"1/2	416	359	200	266	165	101	135	114	167	103	225	VB 110M	4223
8M12600408	350	1"1/2	416	359	200	266	165	101	135	114	167	103	225	VB 110M	4223
8M12600110	350	2"	446	384	212	279	184	95	160	123	166	109	226	VB 270M	4224
8M12600210	350	2"	446	384	212	279	184	95	160	123	166	109	226	VB 270M	4224
8M12600410	350	2"	446	384	212	279	184	95	160	123	166	109	226	VB 270M	4224