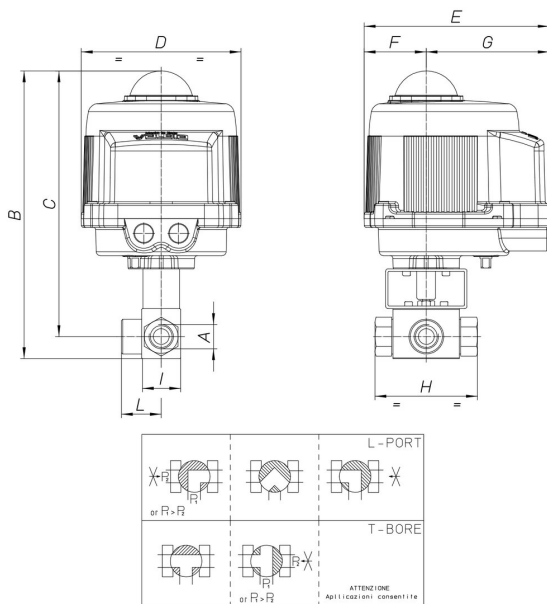


## 8M129



3 way ball valve, AISI 316L, L or T port, diverting only, F/F/F threaded, for high pressure, for hydraulic oil, emulsion, gas. For particular applications refer to sales department.

### Spécifications techniques



<b>MOD</b>	<b>PN</b>	<b>B</b>	<b>C</b>	<b>D</b>	<b>E</b>	<b>F</b>	<b>G</b>	<b>H</b>	<b>I</b>	<b>L</b>	<b>ACT.</b>	<b>KIT</b>
8M12900103	400	279	261	161	187	63	124	73	35	37	VB030M	RI3740
8M12900203	400	279	261	161	187	63	124	73	35	37	VB030M	RI3740
8M12900403	400	279	261	161	187	63	124	73	35	37	VB030M	RI3740
8M12900104	350	282	264	161	187	63	124	83	37	40	VB030M	RI3740
8M12900204	350	282	264	161	187	63	124	83	37	40	VB030M	RI3740
8M12900404	350	282	264	161	187	63	124	83	37	40	VB030M	RI3740
8M12900105	350	294	271	161	187	63	124	95	45	52	VB030M	RI4037
8M12900205	350	294	271	161	187	63	124	95	45	52	VB030M	RI4037
8M12900405	350	294	271	161	187	63	124	95	45	52	VB030M	RI4037
8M12900106	350	325	296	176	197	63	134	112	55	60	VB060M	RI4038
8M12900206	350	325	296	176	197	63	134	112	55	60	VB060M	RI4038
8M12900406	350	325	296	176	197	63	134	112	55	60	VB060M	RI4038