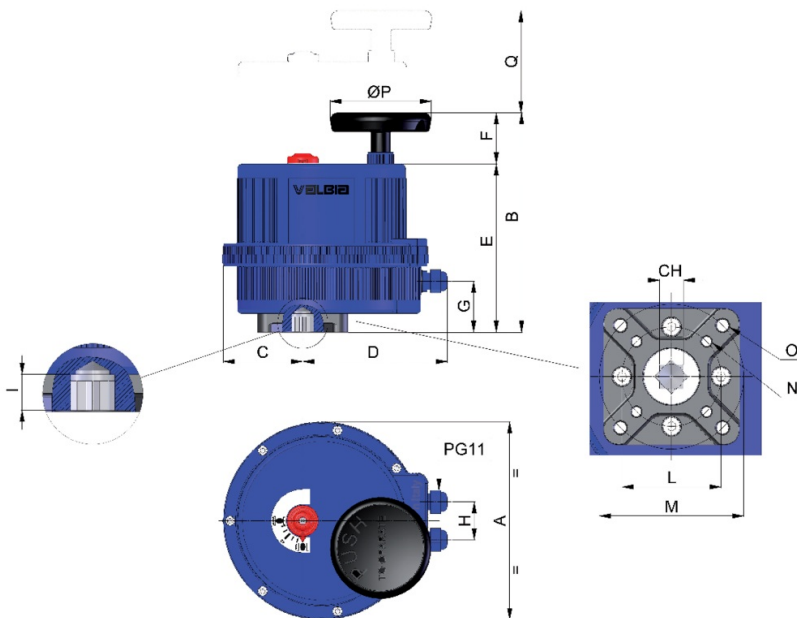


## MOD. VB270



### Specifiche tecniche



MOD	FORATURA DRILLING ISO 5211	CH	A	B	C	D	E	F	G	H	I	L	M	N	O	ØP	Q
MOD. VB270	F07-F10	22	222	233,5	77	170	182	51,5	54	40	24	70	102	M8x20	M10x20	110	115

# Applicazioni



FOOD & BEVERAGE



HVAC



PAINTS & SOLVENTS



WATER TREATMENT



CHEMICAL



OEM



POWER & RENEWABLE ENERGY