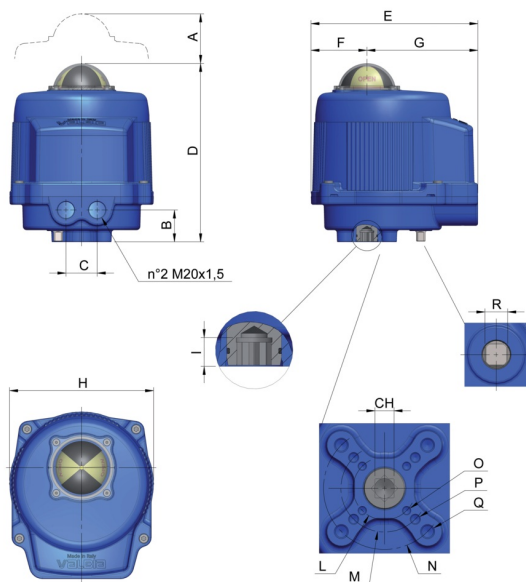


MOD. VB030M



Specifiche tecniche



| MOD | FORATURA DRILLING ISO 5211 FLANGE | CH | A | B | C | D | E | F | G | H | I | L | M | N | O | P | Q | R |
|-------------|-----------------------------------|----|-----|----|----|-----|-----|----|-----|-----|----|----|----|----|------|-------|-------|----|
| MOD. VB030M | F03-F05-F07 | 11 | 139 | 36 | 35 | 199 | 187 | 63 | 124 | 161 | 12 | 36 | 50 | 70 | M5X8 | M6X10 | M8X11 | 10 |

Applicazioni



FOOD & BEVERAGE



HVAC



PAINTS & SOLVENTS



WATER TREATMENT



CHEMICAL



OEM



MARINE