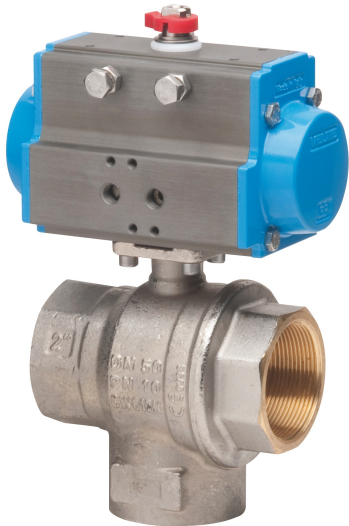
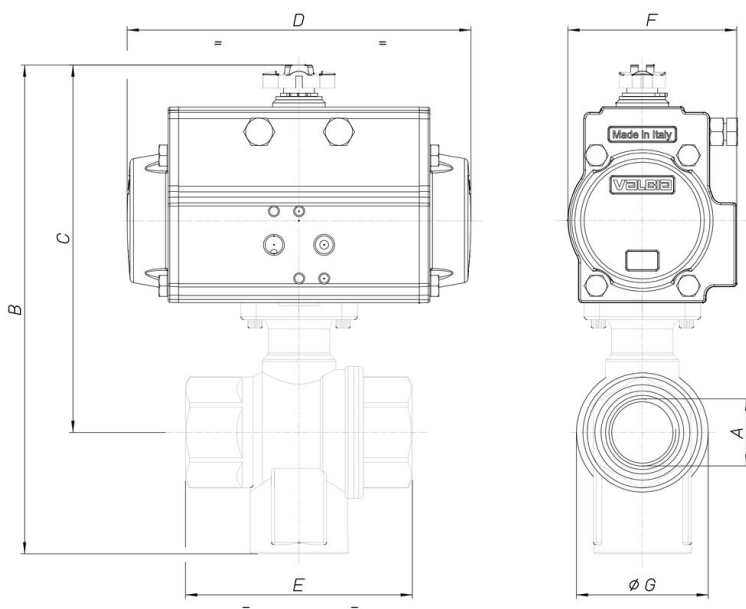


8P015000

Valvola a sfera deviatrice [RB Art. 3110 (T)], in ottone CW617N, passaggio totale, filettata F/F/F, sfera forata a "T", con attuatore.



Specifiche tecniche



MOD	PN	A	B	C	D	E	F	G	ACT.	RI
8P01500002	25	1/4"	156	130	141	52	71	28	SR 52	4017
8P01500003	25	3/8"	156	130	141	52	71	28	SR 52	4017
8P01500004	25	1/2"	166	133	141	64	71	35	SR 52	4017
8P01500005	16	3/4"	184	144	141	74	71	43	SR 52	4017
8P01500006	16	1"	194	147	141	89	71	53	SR 52	4017
8P01500007	10	1"1/4	205	151	141	100	71	63	SR 52	4017
8P01500008	10	1"1/2	254	193	210	110	95	77	SR 75	4030
8P01500010	10	2"	285	212	241	130	106	93	SR 85	4030