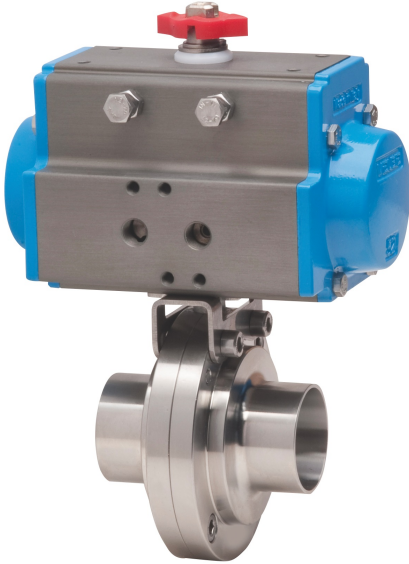
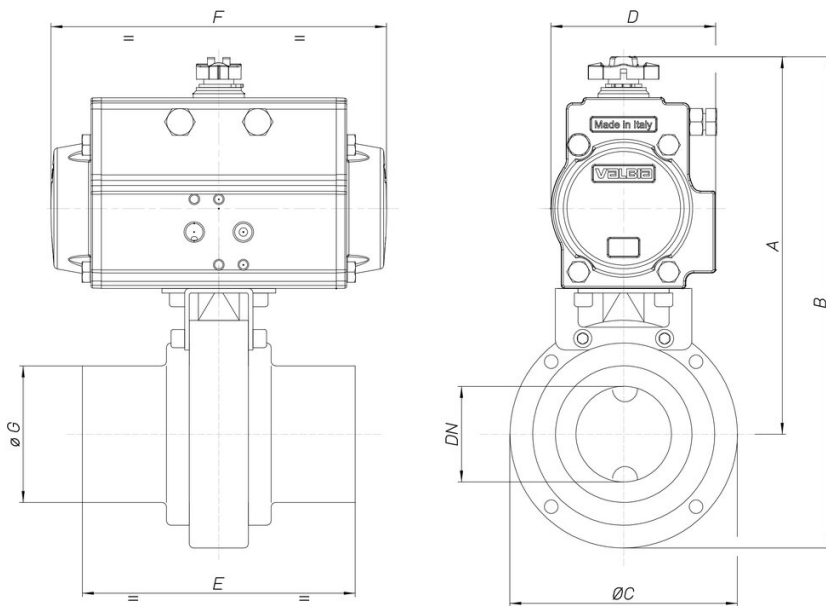


## 8P026200

Valvola a farfalla attacchi a saldare per tubi DIN 11850, in acciaio inox AISI 304.



### Specifiche tecniche



<b>MOD</b>	<b>PN</b>	<b>A</b>	<b>B</b>	<b>ØC</b>	<b>D</b>	<b>E</b>	<b>F</b>	<b>ØG</b>	<b>ACT.</b>
8P02620006	6	150	189	79	71	68	141	28	SR 52
8P02620007	6	155	197	85	71	76	141	34	SR 52
8P02620008	6	169	215	92	81	76	164	40	SR 63
8P02620010	6	175	227	105	81	80	164	52	SR 75
8P02620012	6	202	265	125	95	82	210	70	SR 85
8P02620014	6	237	305	137	123	84	275	85	SR 85
8P02620018	6	249	327	157	123	88	275	104	SR 100