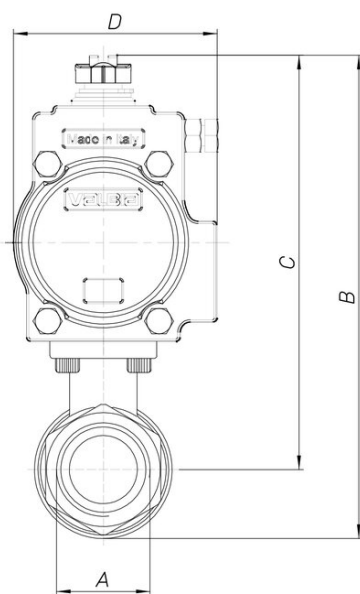
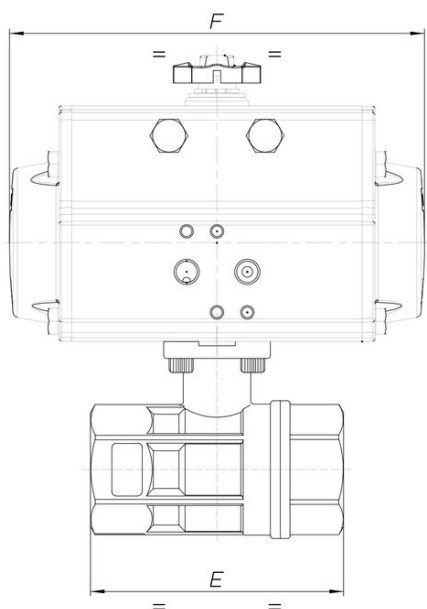


## 8P008100

Valvola a sfera 2 vie in ottone, passaggio totale secondo norma DIN 13547 [RB art. 2500] filettatura F/F non idonea per solventi.



### Specifiche tecniche



<b>MOD</b>	<b>PN</b>	<b>A</b>	<b>B</b>	<b>C</b>	<b>D</b>	<b>E</b>	<b>F</b>	<b>ACT.</b>	<b>RI</b>
8P00810002	40	1/4"	151	134	71	67	141	SR 52	4017
8P00810003	40	3/8"	151	134	71	67	141	SR 52	4017
8P00810004	40	1/2"	151	134	71	67	141	SR 52	4017
8P00810005	40	3/4"	156	136	71	76	141	SR 52	4017
8P00810006	40	1"	172	147	71	90	141	SR 52	4017
8P00810007	40	1" 1/4	180	151	71	102	141	SR 52	4017
8P00810008	40	1" 1/2	214	177	81	114	164	SR 63	4018
8P00810010	40	2"	232	186	81	138	164	SR 63	4018
8P00810012	25	2" 1/2	291	234	106	165	241	SR 85	4020
8P00810014	16	3"	311	243	106	188	241	SR 85	4020
8P00810018	16	4"	358	275	123	225	275	SR 100	4029