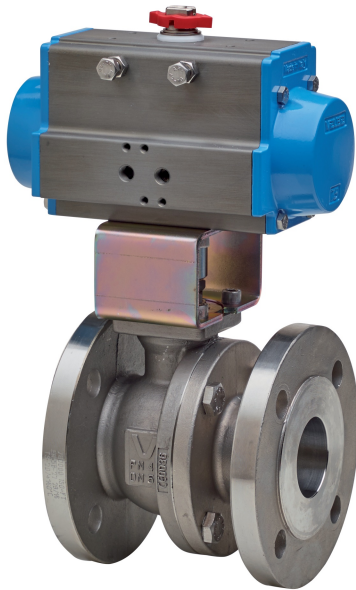
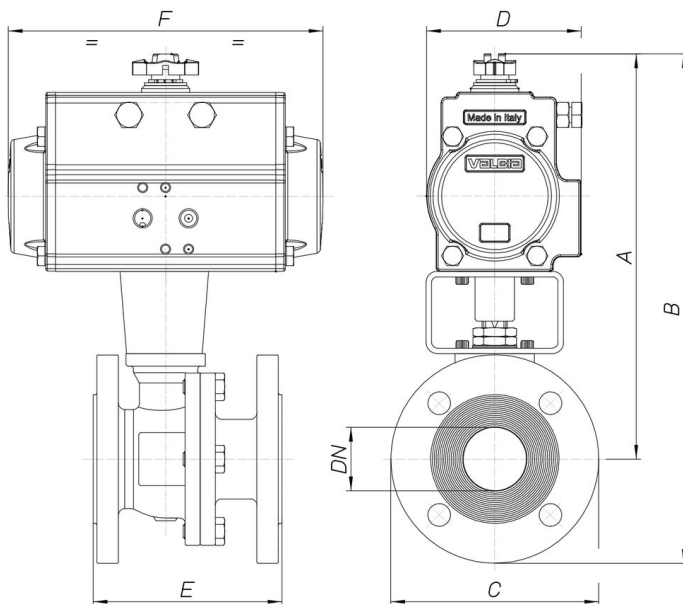


8P012100



Valvola a sfera Split Body [Valpres art. 760005] flangiata ANSI 150, in acciaio INOX AISI 316 CF8M, passaggio totale, Fire Safe, dispositivo antistatico, scartamento secondo ANSI B16.10 classificata ATEX Ex II 2 G/D c T3.

Specifiche tecniche



MOD	PN	A	B	C	D	E	F	ACT.	RI
8P01210004	20	148	193	90	45	108	110	DA32	3518
8P01210005	20	189	239	100	71	121	141	DA52	3519
8P01210006	20	207	262	110	71	127	141	DA52	3520
8P01210008	20	249	314	130	81	165	164	DA63	3521
8P01210010	20	275	350	150	95	178	210	DA75	3522
8P01210014	20	333	428	190	106	203	241	DA85	3523
8P01210018	20	360	475	230	123	229	275	DA100	3552
8P01210020	20	483	624	280	164	394	435	DA140	3554
8P01210021	20	551	724	345	186	457	500	DA160	3554
8P01210077	10	747	950	405	248	533	690	DA230	4577
8P01210078	10	778	1021	485	248	610	690	DA230	4577