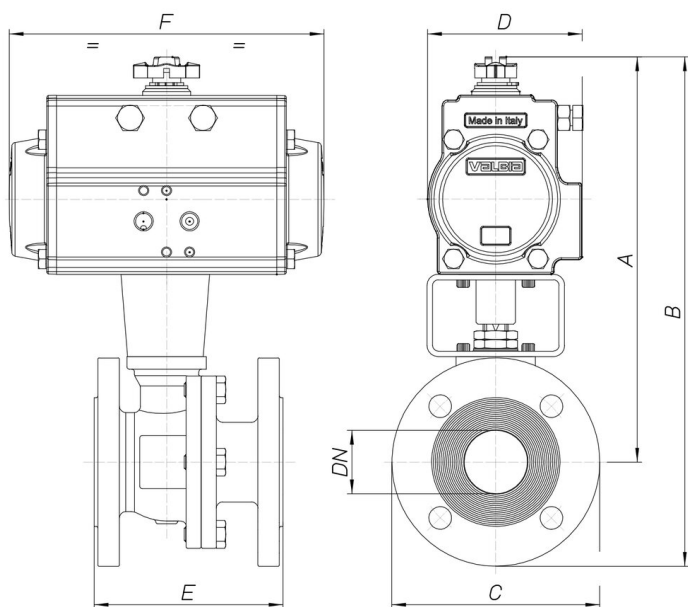


## 8P012200



Valvola a sfera Split Body [Valpres art. 760005] flangiata ANSI 150, in acciaio INOX AISI 316 CF8M, passaggio totale, Fire Safe, dispositivo antistatico, scartamento secondo ANSI B16.10 classificata ATEX Ex II 2 G/D c T3.

### Specifiche tecniche



<b>MOD</b>	<b>PN</b>	<b>A</b>	<b>B</b>	<b>C</b>	<b>D</b>	<b>E</b>	<b>F</b>	<b>ACT.</b>	<b>RI</b>
8P01220004	20	185	230	90	71	108	141	SR52	3519
8P01220005	20	200	250	100	81	121	164	SR63	3829
8P01220006	20	218	273	110	81	127	164	SR63	3525
8P01220008	20	281	346	130	106	165	241	SR85	3526
8P01220010	20	302	377	150	123	178	275	SR100	3522
8P01220014	20	393	488	190	148	203	372	SR125	3528
8P01220018	20	407	522	230	148	229	372	SR125	3528
8P01220020	20	540	695	280	213	394	493	SR180	3555
8P01220021	20	608	781	345	217	457	578	SR200	3555
8P01220077	10	947	1150	405	402	533	881	SR330	4578
8P01220078	10	978	1221	485	402	610	881	SR330	4578