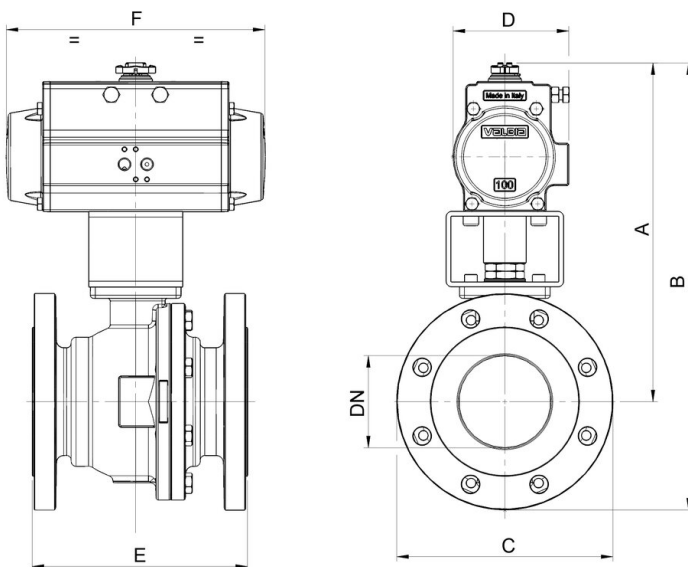


8P111700

Valvola a sfera Split Body [Valpres art.760V01] flangiata PN16, in acciaio al carbonio A216-LCB zincotropicalizzato/verniciato (DN>100) a passaggio totale con tenuta asta V-Pack, scartamento secondo EN 558 basic series 27, Fire Safe, dispositivo antistatico.

NEW

Specifiche tecniche



| MOD | PN | A | B | ØC | D | E | F | ACT. | RI |
|------------|-----------|----------|----------|-----------|----------|----------|----------|-------------|-----------|
| 8P11170004 | 40 | 185 | 232 | 95 | 71 | 115 | 141 | SR52 | 3519 |
| 8P11170005 | 40 | 200 | 253 | 105 | 81 | 120 | 164 | SR63 | 3829 |
| 8P11170006 | 40 | 236 | 294 | 115 | 81 | 125 | 164 | SR63 | 3525 |
| 8P11170007 | 40 | 254 | 324 | 140 | 81 | 130 | 164 | SR63 | 3525 |
| 8P11170008 | 40 | 295 | 370 | 150 | 106 | 140 | 241 | SR85 | 3526 |
| 8P11170010 | 40 | 336 | 419 | 165 | 123 | 150 | 275 | SR100 | 3522 |
| 8P11170012 | 16 | 358 | 451 | 185 | 137 | 170 | 333 | SR115 | 3527 |
| 8P11170014 | 16 | 415 | 515 | 200 | 148 | 180 | 372 | SR125 | 3528 |
| 8P11170018 | 16 | 453 | 563 | 220 | 148 | 190 | 372 | SR125 | 3528 |
| 8P11170019 | 16 | 407 | 632 | 250 | 164 | 325 | 435 | SR140 | 3997 |
| 8P11170020 | 16 | 565 | 655 | 285 | 186 | 350 | 500 | SR160 | 3554 |
| 8P11170021 | 16 | 708 | 825 | 340 | 217 | 400 | 579 | SR200 | 3555 |