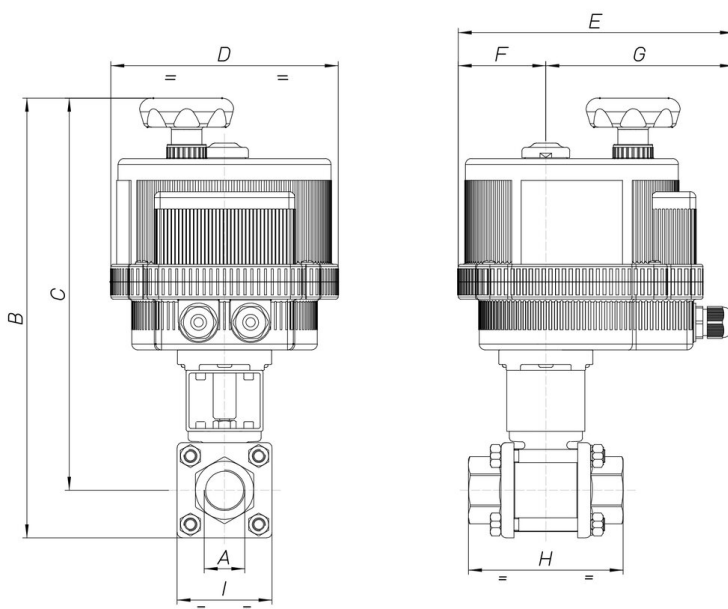


8E030 SW



Valvola a sfera 2 vie in 3 pezzi [Valpres Art. 710000 F/F - 711000 SW - 712000 BW], acciaio inox AISI 316, con attuatore elettrico.

Specifiche tecniche



| MOD | PN | A | B | C | D | E | F | G | H | I | ACT. | RI |
|------------|----|-------|-----|-----|-----|-----|----|-----|-----|-----|--------|------|
| 8E03000102 | 64 | 1/4" | 205 | 188 | 123 | 164 | 43 | 121 | 57 | 33 | VB 015 | 3021 |
| 8E03000202 | 64 | 1/4" | 205 | 188 | 123 | 164 | 43 | 121 | 57 | 33 | VB 015 | 3021 |
| 8E03000402 | 64 | 1/4" | 205 | 188 | 123 | 164 | 43 | 121 | 57 | 33 | VB 015 | 3021 |
| 8E03000103 | 64 | 3/8" | 205 | 188 | 123 | 164 | 43 | 121 | 57 | 33 | VB 015 | 3021 |
| 8E03000203 | 64 | 3/8" | 205 | 188 | 123 | 164 | 43 | 121 | 57 | 33 | VB 015 | 3021 |
| 8E03000403 | 64 | 3/8" | 205 | 188 | 123 | 164 | 43 | 121 | 57 | 33 | VB 015 | 3021 |
| 8E03000104 | 64 | 1/2" | 211 | 192 | 123 | 164 | 43 | 121 | 65 | 38 | VB 015 | 3790 |
| 8E03000204 | 64 | 1/2" | 211 | 192 | 123 | 164 | 43 | 121 | 65 | 38 | VB 015 | 3790 |
| 8E03000404 | 64 | 1/2" | 211 | 192 | 123 | 164 | 43 | 121 | 65 | 38 | VB 015 | 3790 |
| 8E03000105 | 40 | 3/4" | 252 | 229 | 123 | 164 | 43 | 121 | 76 | 47 | VB 015 | 3781 |
| 8E03000205 | 40 | 3/4" | 252 | 229 | 123 | 164 | 43 | 121 | 76 | 47 | VB 015 | 3781 |
| 8E03000405 | 40 | 3/4" | 252 | 229 | 123 | 164 | 43 | 121 | 76 | 47 | VB 015 | 3781 |
| 8E03000106 | 40 | 1" | 309 | 280 | 157 | 191 | 61 | 130 | 92 | 58 | VB 030 | 3030 |
| 8E03000206 | 40 | 1" | 309 | 280 | 157 | 191 | 61 | 130 | 92 | 58 | VB 030 | 3030 |
| 8E03000406 | 40 | 1" | 309 | 280 | 157 | 191 | 61 | 130 | 92 | 58 | VB 030 | 3030 |
| 8E03000107 | 25 | 1"1/4 | 317 | 283 | 157 | 191 | 61 | 130 | 106 | 67 | VB 030 | 3030 |
| 8E03000207 | 25 | 1"1/4 | 317 | 283 | 157 | 191 | 61 | 130 | 106 | 67 | VB 030 | 3030 |
| 8E03000407 | 25 | 1"1/4 | 317 | 283 | 157 | 191 | 61 | 130 | 106 | 67 | VB 030 | 3030 |
| 8E03000108 | 25 | 1"1/2 | 368 | 330 | 185 | 215 | 68 | 147 | 116 | 76 | VB 060 | 3031 |
| 8E03000208 | 25 | 1"1/2 | 368 | 330 | 185 | 215 | 68 | 147 | 116 | 76 | VB 060 | 3031 |
| 8E03000408 | 25 | 1"1/2 | 368 | 330 | 185 | 215 | 68 | 147 | 116 | 76 | VB 060 | 3031 |
| 8E03000110 | 25 | 2" | 382 | 337 | 185 | 215 | 68 | 147 | 136 | 90 | VB 060 | 3031 |
| 8E03000210 | 25 | 2" | 382 | 337 | 185 | 215 | 68 | 147 | 136 | 90 | VB 060 | 3031 |
| 8E03000410 | 25 | 2" | 382 | 337 | 185 | 215 | 68 | 147 | 136 | 90 | VB 060 | 3031 |
| 8E03000112 | 16 | 2"1/2 | 434 | 367 | 211 | 237 | 84 | 153 | 153 | 134 | VB 110 | 3003 |
| 8E03000212 | 16 | 2"1/2 | 434 | 367 | 211 | 237 | 84 | 153 | 153 | 134 | VB 110 | 3003 |
| 8E03000412 | 16 | 2"1/2 | 434 | 367 | 211 | 237 | 84 | 153 | 153 | 134 | VB 110 | 3003 |
| 8E03000114 | 16 | 3" | 459 | 379 | 211 | 237 | 84 | 153 | 180 | 161 | VB 110 | 3003 |
| 8E03000214 | 16 | 3" | 459 | 379 | 211 | 237 | 84 | 153 | 180 | 161 | VB 110 | 3003 |
| 8E03000414 | 16 | 3" | 459 | 379 | 211 | 237 | 84 | 153 | 180 | 161 | VB 110 | 3003 |
| 8E03000118 | 16 | 4" | 510 | 415 | 211 | 237 | 84 | 153 | 217 | 190 | VB 190 | 3004 |
| 8E03000218 | 16 | 4" | 510 | 415 | 211 | 237 | 84 | 153 | 217 | 190 | VB 190 | 3004 |
| 8E03000418 | 16 | 4" | 510 | 415 | 211 | 237 | 84 | 153 | 217 | 190 | VB 190 | 3004 |