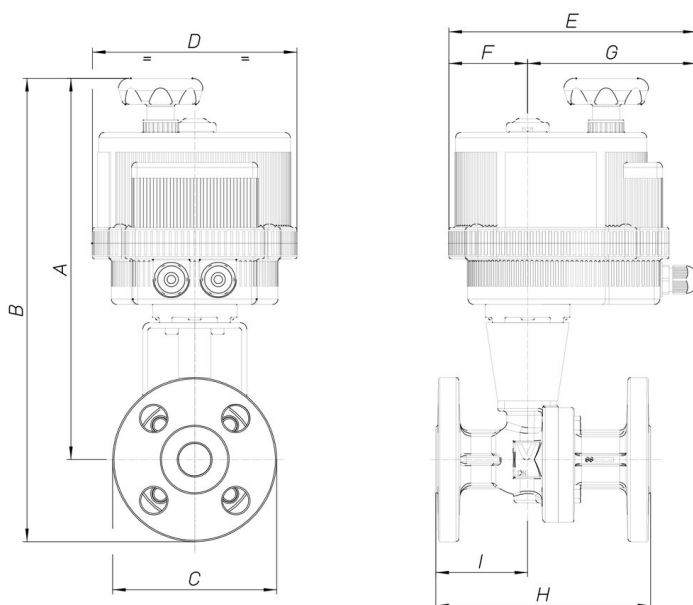


8E112

Valvola a sfera flangiata ANSI300, in acciaio al carbonio WCB [Valpres Art. 761031], passaggio totale, scartamento secondo ANSI B16.10, Fire Safe, Antistatic Device, con attuatore elettrico.



Specifiche tecniche



| MOD | PN | A | B | C | D | E | F | G | H | I | ACT. | RI |
|------------|----|-----|-----|-----|-----|-----|----|-----|-----|----|--------|------|
| 8E11200104 | 50 | 271 | 319 | 95 | 157 | 191 | 61 | 130 | 140 | 62 | VB 030 | 3519 |
| 8E11200204 | 50 | 271 | 319 | 95 | 157 | 191 | 61 | 130 | 140 | 62 | VB 030 | 3519 |
| 8E11200404 | 50 | 271 | 319 | 95 | 157 | 191 | 61 | 130 | 140 | 62 | VB 030 | 3519 |
| 8E11200105 | 50 | 276 | 334 | 118 | 157 | 191 | 61 | 130 | 152 | 61 | VB 030 | 3519 |
| 8E11200205 | 50 | 276 | 334 | 118 | 157 | 191 | 61 | 130 | 152 | 61 | VB 030 | 3519 |
| 8E11200405 | 50 | 276 | 334 | 118 | 157 | 191 | 61 | 130 | 152 | 61 | VB 030 | 3519 |
| 8E11200106 | 50 | 293 | 356 | 125 | 157 | 191 | 61 | 130 | 165 | 71 | VB 030 | 4116 |
| 8E11200206 | 50 | 293 | 356 | 125 | 157 | 191 | 61 | 130 | 165 | 71 | VB 030 | 4116 |
| 8E11200406 | 50 | 293 | 356 | 125 | 157 | 191 | 61 | 130 | 165 | 71 | VB 030 | 4116 |
| 8E11200108 | 50 | 351 | 429 | 155 | 185 | 215 | 68 | 147 | 190 | 79 | VB 060 | 3521 |
| 8E11200208 | 50 | 351 | 429 | 155 | 185 | 215 | 68 | 147 | 190 | 79 | VB 060 | 3521 |
| 8E11200408 | 50 | 351 | 429 | 155 | 185 | 215 | 68 | 147 | 190 | 79 | VB 060 | 3521 |
| 8E11200110 | 50 | 359 | 441 | 165 | 185 | 215 | 68 | 147 | 216 | 86 | VB 060 | 4039 |
| 8E11200210 | 50 | 359 | 441 | 165 | 185 | 215 | 68 | 147 | 216 | 86 | VB 060 | 4039 |
| 8E11200410 | 50 | 359 | 441 | 165 | 185 | 215 | 68 | 147 | 216 | 86 | VB 060 | 4039 |
| 8E11200114 | 50 | 421 | 526 | 210 | 211 | 237 | 84 | 153 | 283 | 81 | VB 190 | 3552 |
| 8E11200214 | 50 | 421 | 526 | 210 | 211 | 237 | 84 | 153 | 283 | 81 | VB 190 | 3552 |
| 8E11200414 | 50 | 421 | 526 | 210 | 211 | 237 | 84 | 153 | 283 | 81 | VB 190 | 3552 |
| 8E11200118 | 50 | 436 | 563 | 255 | 211 | 247 | 77 | 170 | 305 | 89 | VB 270 | 3565 |
| 8E11200218 | 50 | 436 | 563 | 255 | 211 | 247 | 77 | 170 | 305 | 89 | VB 270 | 3565 |
| 8E11200418 | 50 | 436 | 563 | 255 | 211 | 247 | 77 | 170 | 305 | 89 | VB 270 | 3565 |