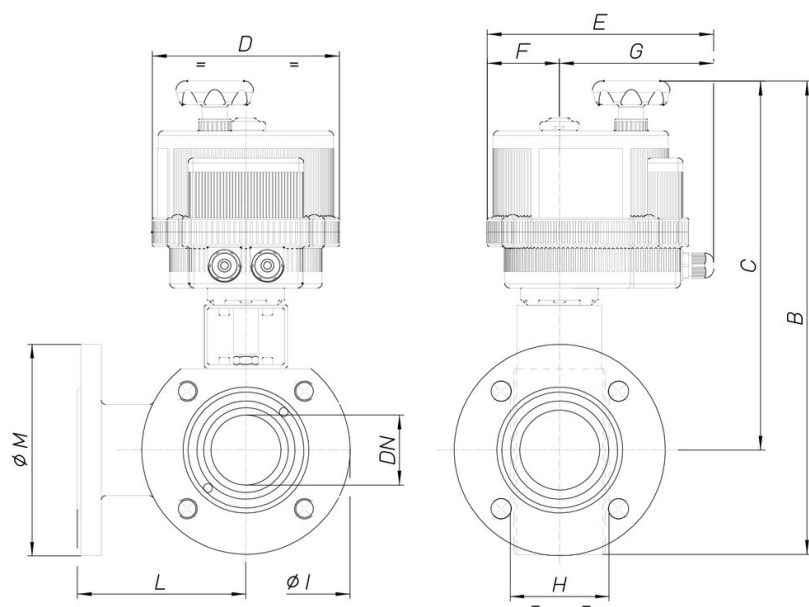


8E017



Valvola a sfera tipo "WAFER" (deviatore di flusso) [Valpres Art. 776007 (L) - Art.776010 (T)], 3 vie, sfera forata a "L" o "T" con due guarnizioni, flangiata PN16, in acciaio inox AISI 316, passaggio ridotto, con attuatore elettrico.

Specifiche tecniche



| MOD | PN | B | C | D | E | F | G | H | I | L | M | ACT. | RI |
|------------|----|-----|-----|-----|-----|----|-----|-----|-----|-----|-----|--------|------|
| 8E01700104 | 16 | 268 | 224 | 123 | 164 | 43 | 121 | 40 | 89 | 76 | 95 | VB 015 | 3780 |
| 8E01700204 | 16 | 268 | 224 | 123 | 164 | 43 | 121 | 40 | 89 | 76 | 95 | VB 015 | 3780 |
| 8E01700404 | 16 | 268 | 224 | 123 | 164 | 43 | 121 | 40 | 89 | 76 | 95 | VB 015 | 3780 |
| 8E01700105 | 16 | 278 | 228 | 123 | 164 | 43 | 121 | 40 | 99 | 82 | 105 | VB 015 | 3013 |
| 8E01700205 | 16 | 278 | 228 | 123 | 164 | 43 | 121 | 40 | 99 | 82 | 105 | VB 015 | 3013 |
| 8E01700405 | 16 | 278 | 228 | 123 | 164 | 43 | 121 | 40 | 99 | 82 | 105 | VB 015 | 3013 |
| 8E01700106 | 16 | 334 | 279 | 157 | 191 | 61 | 130 | 46 | 109 | 86 | 115 | VB 030 | 3001 |
| 8E01700206 | 16 | 334 | 279 | 157 | 191 | 61 | 130 | 46 | 109 | 86 | 115 | VB 030 | 3001 |
| 8E01700406 | 16 | 334 | 279 | 157 | 191 | 61 | 130 | 46 | 109 | 86 | 115 | VB 030 | 3001 |
| 8E01700107 | 16 | 352 | 287 | 157 | 191 | 61 | 130 | 58 | 130 | 100 | 140 | VB 030 | 3008 |
| 8E01700207 | 16 | 352 | 287 | 157 | 191 | 61 | 130 | 58 | 130 | 100 | 140 | VB 030 | 3008 |
| 8E01700407 | 16 | 352 | 287 | 157 | 191 | 61 | 130 | 58 | 130 | 100 | 140 | VB 030 | 3008 |
| 8E01700108 | 16 | 399 | 329 | 185 | 215 | 68 | 147 | 71 | 140 | 105 | 150 | VB 060 | 3002 |
| 8E01700208 | 16 | 399 | 329 | 185 | 215 | 68 | 147 | 71 | 140 | 105 | 150 | VB 060 | 3002 |
| 8E01700408 | 16 | 399 | 329 | 185 | 215 | 68 | 147 | 71 | 140 | 105 | 150 | VB 060 | 3002 |
| 8E01700110 | 16 | 415 | 335 | 185 | 215 | 68 | 147 | 82 | 160 | 115 | 165 | VB 060 | 3002 |
| 8E01700210 | 16 | 415 | 335 | 185 | 215 | 68 | 147 | 82 | 160 | 115 | 165 | VB 060 | 3002 |
| 8E01700410 | 16 | 415 | 335 | 185 | 215 | 68 | 147 | 82 | 160 | 115 | 165 | VB 060 | 3002 |
| 8E01700112 | 16 | 459 | 369 | 211 | 237 | 84 | 153 | 106 | 180 | 125 | 185 | VB 110 | 3003 |
| 8E01700212 | 16 | 459 | 369 | 211 | 237 | 84 | 153 | 106 | 180 | 125 | 185 | VB 110 | 3003 |
| 8E01700412 | 16 | 459 | 369 | 211 | 237 | 84 | 153 | 106 | 180 | 125 | 185 | VB 110 | 3003 |
| 8E01700114 | 16 | 477 | 377 | 211 | 237 | 84 | 153 | 122 | 200 | 150 | 200 | VB 110 | 3003 |
| 8E01700214 | 16 | 477 | 377 | 211 | 237 | 84 | 153 | 122 | 200 | 150 | 200 | VB 110 | 3003 |
| 8E01700414 | 16 | 477 | 377 | 211 | 237 | 84 | 153 | 122 | 200 | 150 | 200 | VB 110 | 3003 |
| 8E01700118 | 16 | 524 | 414 | 211 | 237 | 84 | 153 | 152 | 220 | 159 | 220 | VB 190 | 3004 |
| 8E01700218 | 16 | 524 | 414 | 211 | 237 | 84 | 153 | 152 | 220 | 159 | 220 | VB 190 | 3004 |
| 8E01700418 | 16 | 524 | 414 | 211 | 237 | 84 | 153 | 152 | 220 | 159 | 220 | VB 190 | 3004 |